

**Room control panel**

**GA01HA**



**APPLICATION**

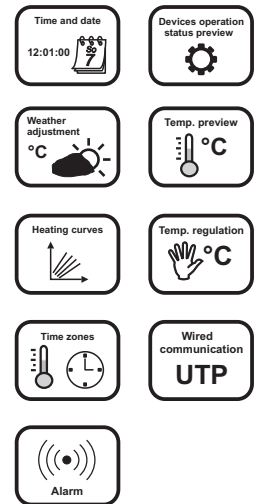
The GA01HA room control panel is a device which have been fitted for full communication with GECO heating controllers.

The GA01HA room control panel after connection with controller allows to control boiler operation comfortably from user's apartment. Room control panel enables not only preview of temperatures of heating cycles and preview operation devices status but also gives user opportunity of direct control.

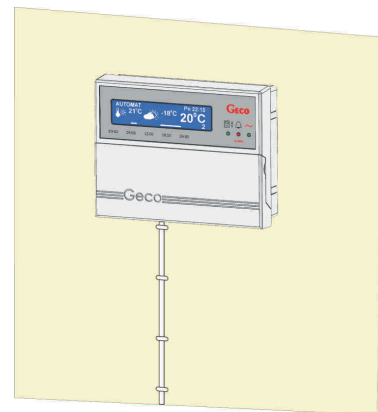
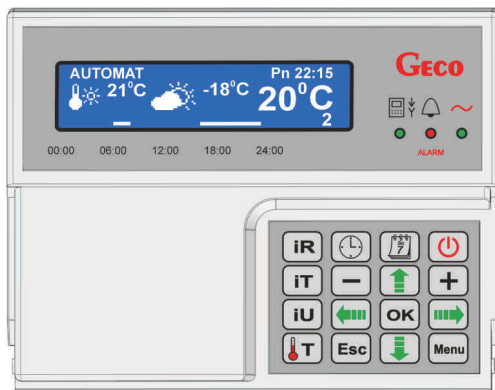
The panel is offering a weather adjustment mode (based on heating curves). It enables to control boiler operation in mode of time zones.

**PROPERTIES**

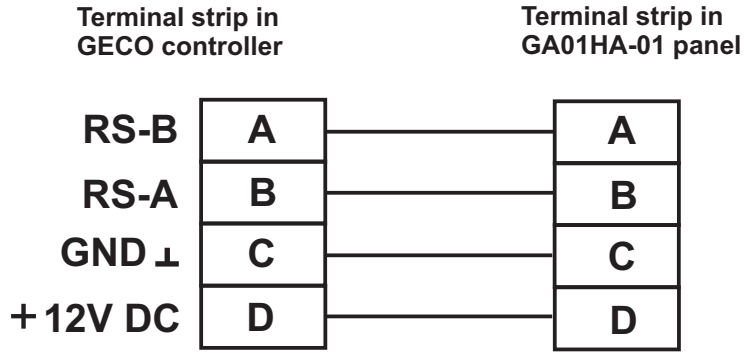
- modern and functional visualisation of casing
- single-module construction enables comfortable installation in the user's apartment
- graphical display of the LCD type
- direct preview of devices operation status and temperatures of heating cycles
- capability to remote control cycles temperature from the user's apartment
- weather adjustment mode (heating curves and measurement of temperature outside) - available only in the case of co-operation with the controller equipped with an external temperature sensor
- time zones (control of heating cycle under diurnal and weekly)
- outside temperature preview (if co-controller equipped with an external temperature sensor)
- real-time clock indicating time and date on the panel display
- sound signal of the alarms
- wired communication with the controller - twisted pair cabling UTP
- many language versions



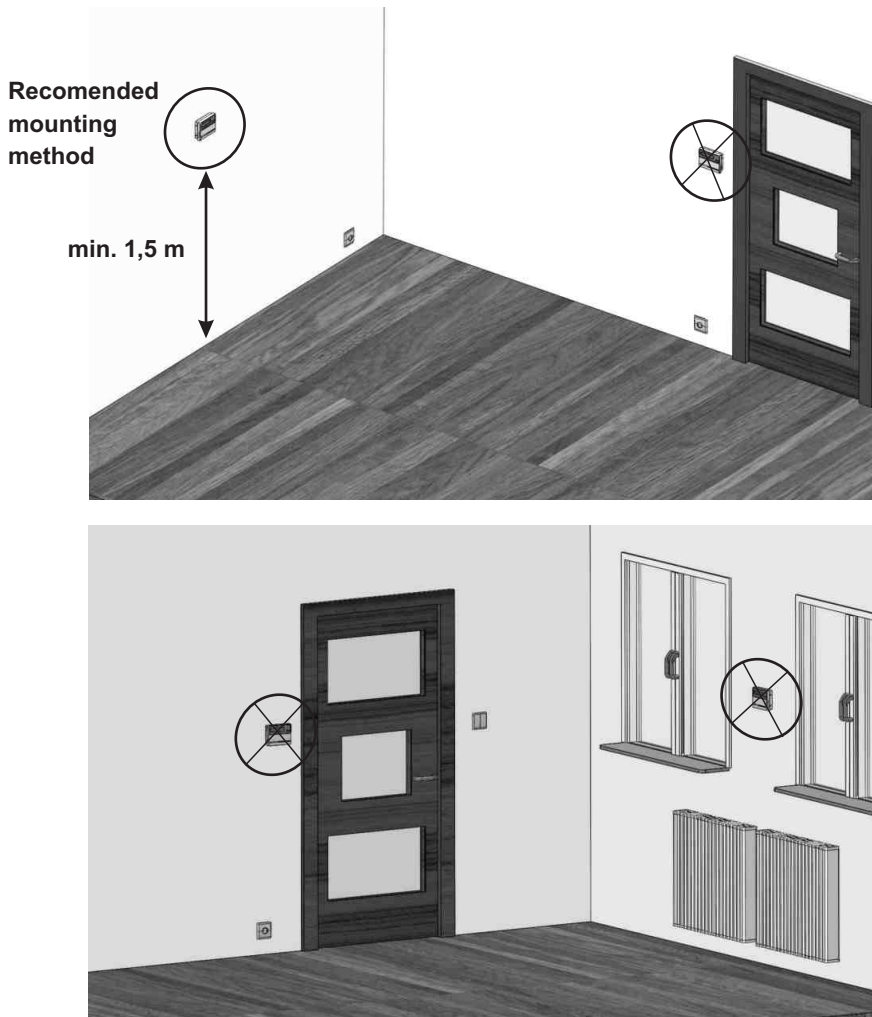
**PRODUCT VIEWS**



# DIAGRAM OF CONNECTIONS



## RECOMENDED MOUNTING METHOD



### Mounting recommendations

#### **It is recommended to mount:**

- in place which enables unimpeded access and control;
- on the wall inside the building (located between rooms);
- in a location with optimal (reference) temperature with normal air circulation.

#### **It is not recommended to mount in such a places as:**

- directly exposed to sunlight (eg. against the window);
- near devices emitting heat radiation (eg. CH radiator);
- with presence of permanent or periodic changes in temperature (eg. next door and window);
- exposed to vibration (eg. next door).